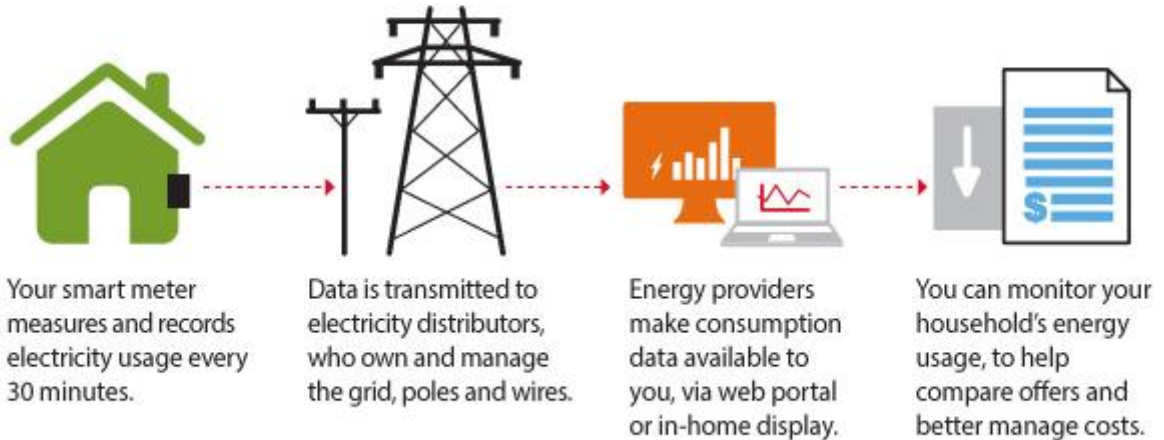


PAN JIT RECOMMEND DEVICES FOR SMART METER



Your Component, Our Profession

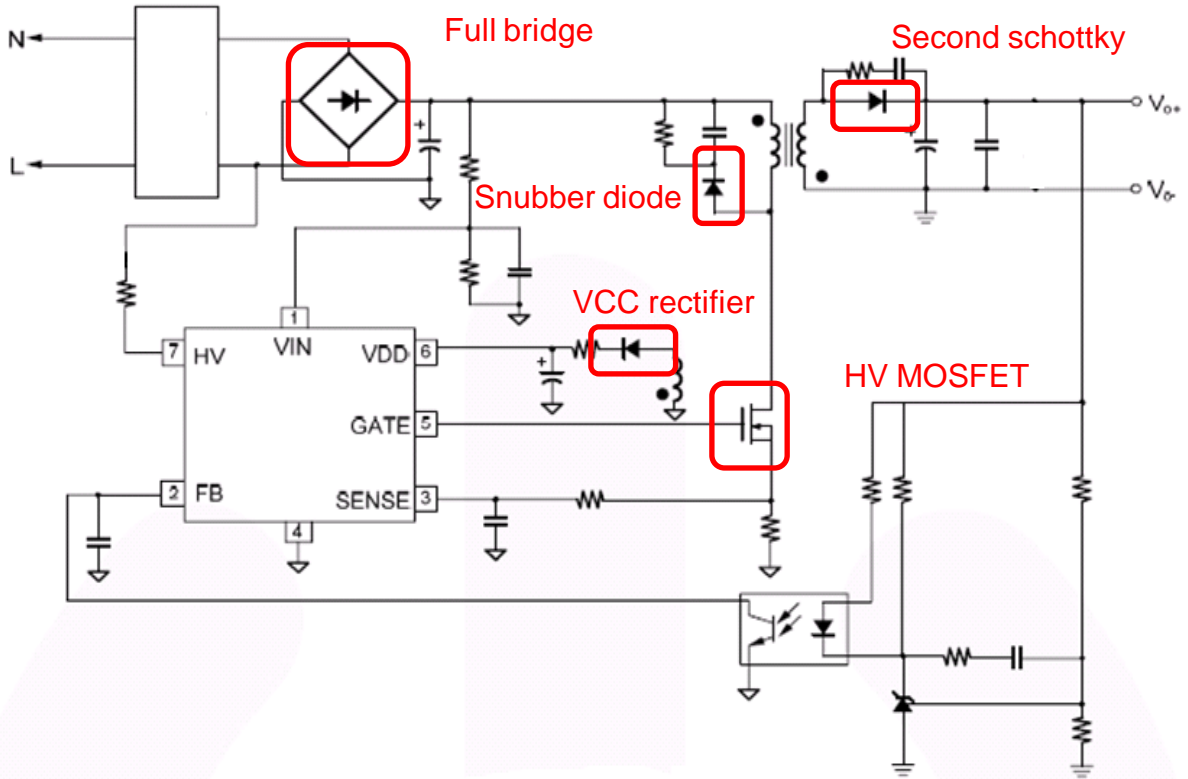
HOW YOUR SMART METER HELPS YOU TAKE CHARGE OF YOUR POWER BILL



Source: <http://switchon.vic.gov.au/>

智慧電表（英語：Smart meter）是一種新型的數位計數表。能記錄使用資訊並即時回報給電力公司，讓電力公司調整能源輸送，以達更高效率的管理，而使用者可透過網路及控制系統，可以了解家中各種電器的用電耗能情形，並進一步調節用電量或省電，達成節省能源的目的。

AC to DC controller Power Function

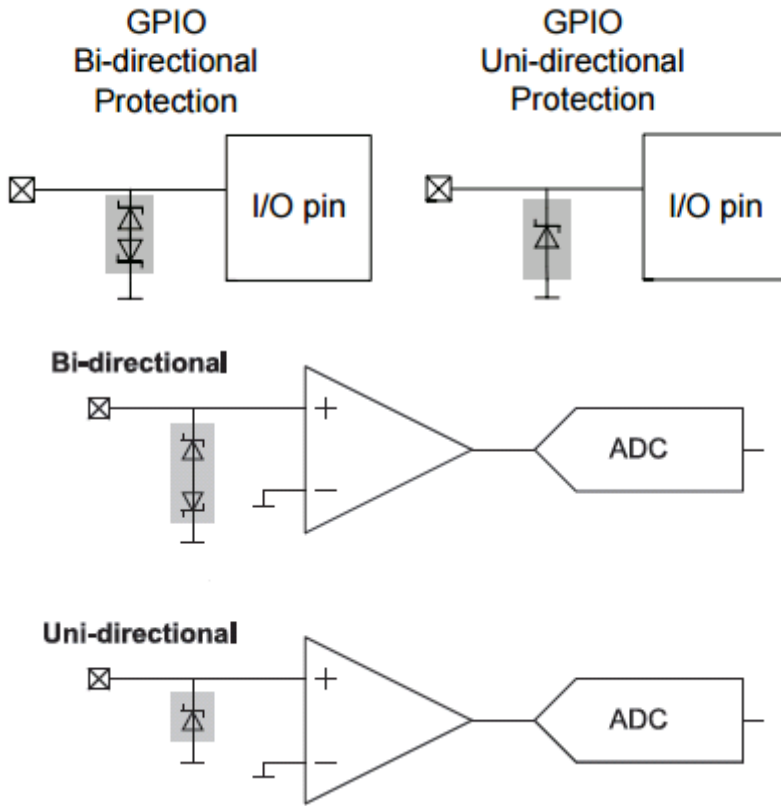


AC Power Function Recommend Devices

Family	Part Number	Spec	Package
Bridge	GS1MWG	1000V/1A	SMA(W)
	DI2010S	1000V/2A	SDIP
	DI208S	800V/2A	SDIP
	DI206S	600V/2A	SDIP
Snubber Diodes	US1MWG	1000V/1A	SMA(W)
Second SKY	SVM1045	45V/10A	TO-277B
	SVM1545	45V/15A	TO-277B
VCC Rectifier	RS1DWG	200V/1A	SMA(W)
HV MOSFET	PJD2NA70	700V/2A	TO-252
	PJP4NA90	900V/4A	TO-220AB

Family	Part Number	P_{pp}	V_{RWM}	Package
TVS for RCD Snubber	P6SMBJ180	600W	180V	SMB/DO-214AA
	P6SMBJ180A	600W	180V	SMB/DO-214AA
	P6SMBJ190	600W	190V	SMB/DO-214AA
	P6SMBJ190A	600W	190V	SMB/DO-214AA
	P6SMBJ200	600W	200V	SMB/DO-214AA
	P6SMBJ200A	600W	200V	SMB/DO-214AA

Digital I/O and Analog I/O protection

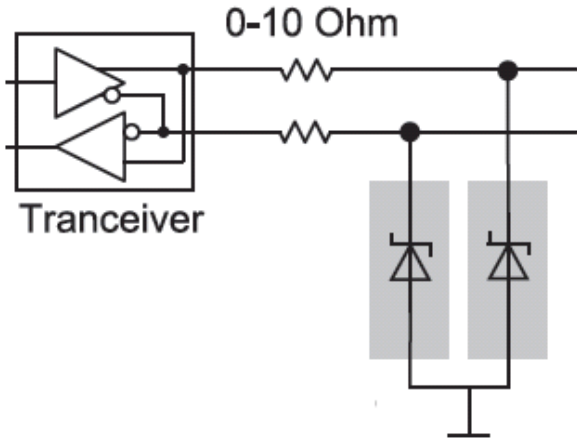


Digital I/O Protection Recommend Device

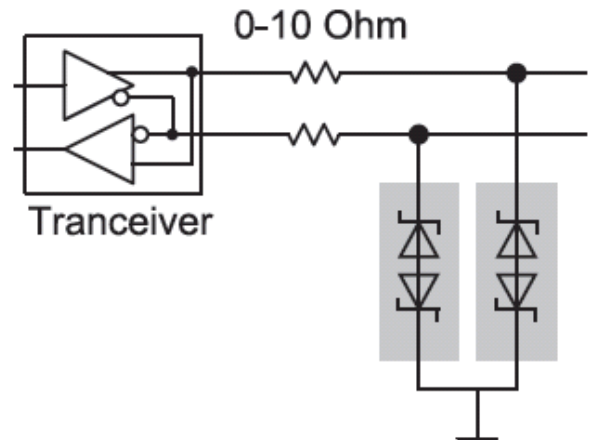
Family	Part Number	UNI/BI	$V_{RWM}(V)$	$C_J(MAX.)@0Vdc(pf)$	Package
ESD array	PJSD12CW	BI	12	100	SOD-323
	PJEC3V3M1FN2	BI	3.3	10	DFN2L
	PJSD03TM	UNI	3.3	50	SOD-923
	PJEC5V0M1FN2	BI	5	10	DFN2L
	PJE5V0M1FN2	UNI	5	15	DFN2L
	PJEC5V0M1TM	UNI	5	15	SOD-923

RS-485/RS-232 interface protection

Uni-directional Protection



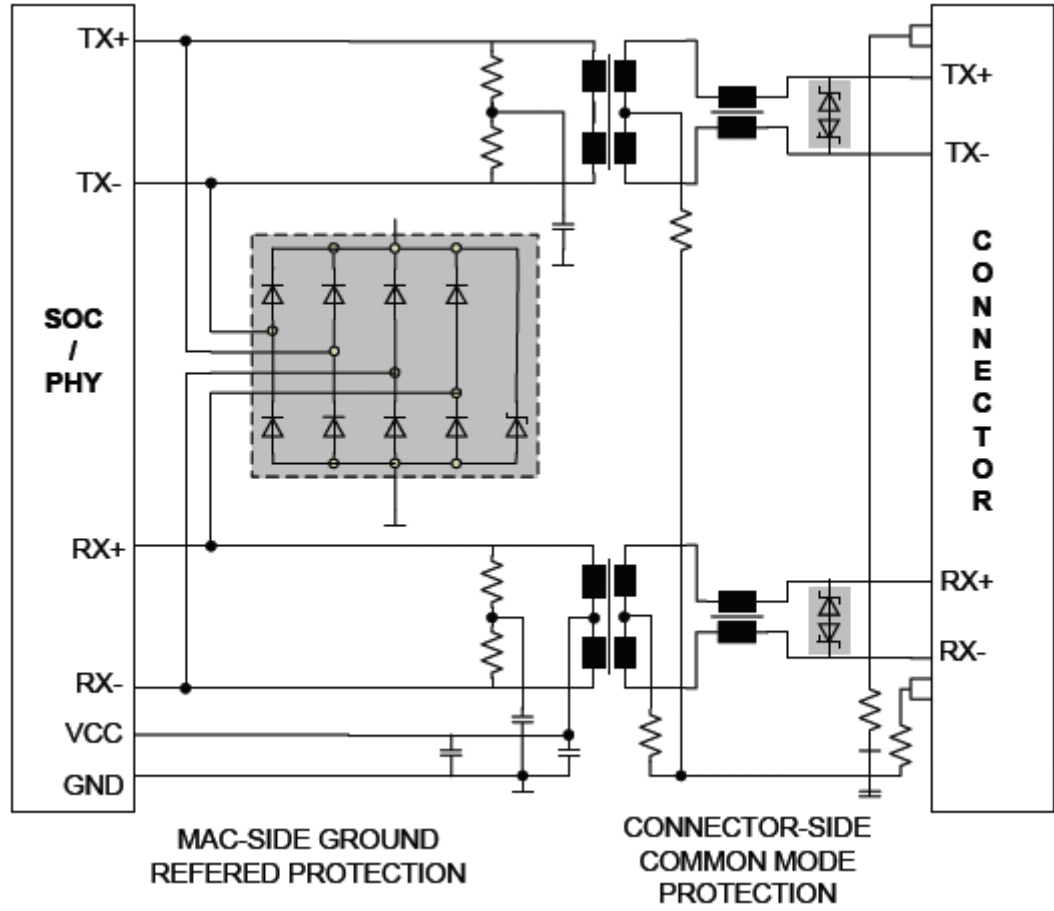
Bi-directional Protection



Interface Protection Recommend Device

Family	Part Number	UNI/BI	$V_{RWM}(V)$	$C_J(MAX.)@0Vdc(pf)$	Package
ESD array	PJSD12CW	BI	12	100	SOD-323
	PJSD12W	UNI	12	160	SOD-323
	PJSOT12C-05	UNI	12	150	SOT-23

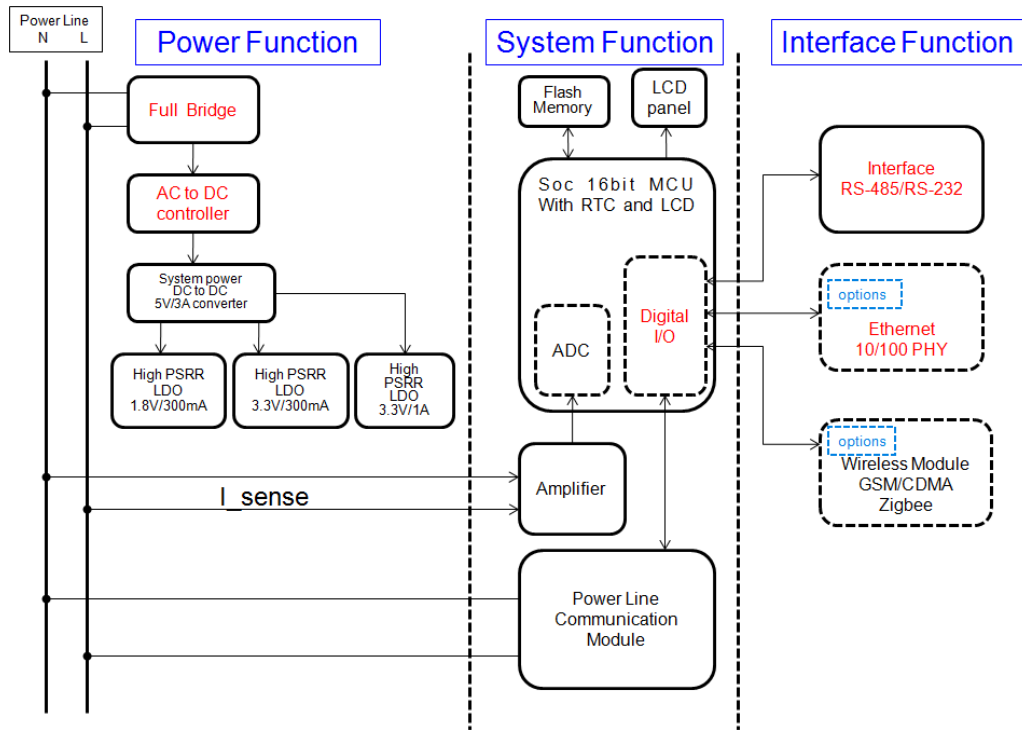
Ethernet protection



Ethernet Protection Recommend Device

Family	Part Number	V_{RWM}	CL(MAX.) @0Vdc(pf)	Package
ESD array	PJSRV05W-4DW6	5	1.2	SOT-23 6L
	PJSRV05W-4GW6	5	2	SOT-23 6L
	PJSRV05W-4SW6	5	1.2	SOT-23 6L

Other Recommend Devices



Family	Part Numbers	Description	Package
MOSFET	PJA3411	P-channel -20V/-3.1A	SOT-23
	PJS6832	Dual N-channel 30V/1.6A	SOT-23 6L
	PJS6631	Dual N+P channel 20V/2A	SOT-23 6L
	PJT138L	Dual N-channel 60V/200mA	SOT-363
Switch Diode	BAV99	100V/150mA	SOT-23
Small Signal Schottky	BAT54	30V/200mA	SOT-23
	BAT721C	40V/200mA	SOT-23
	BAT721S	40V/200mA	SOT-23
BJT	MMBT3904	NPN 40V/200mA	SOT-23
	MMBT3906	PNP -40V/-200mA	SOT-23
TVS	P6SMBJ series	600W	DO-214AA

When you need us, HERE to get us

PAN JIT International Inc. is a global discrete manufacturer. We have multiple branches to offer services worldwide.

◆ TAIWAN

⊕ HEADQUARTERS

Tel. +886-7-621-3121 Fax. +886-7-621-3129

⊕ TAIPEI SALES OFFICE

Tel. +886-2-2627-1898 Fax. +886-2-2627-8856

◆ CHINA

⊕ BEIJING SALES OFFICE

Tel. +86-10-5707-7296 Fax. +86-10-5332-3319

⊕ WUXI SALES OFFICE

Tel. +86-510-8522-8922 Fax. +86-510-8521-1613

⊕ SIYANG SALES OFFICE

Tel. +86-527-8567-773

⊕ SHENZHEN SALES OFFICE

Tel. +86-755-846-86621 Fax. +86-755-840-04048

⊕ HONG KONG SALES OFFICE

Tel. +852-2751-8413~5 Fax. +852-2751-8272

◆ AMERICA

Tel. +1-480-379-2800 Fax. +1-480-379-2819

◆ EUROPE

Tel. +49- 8171-99-91-0 Fax. +49-8171-99-91-10

◆ KOREA

Tel. +82-031-202-6270 Fax. +82-31-202-1974

Visit our website to check our local distributor for your service:
www.panjit.com

or contact us:
sales@panjit.com.tw